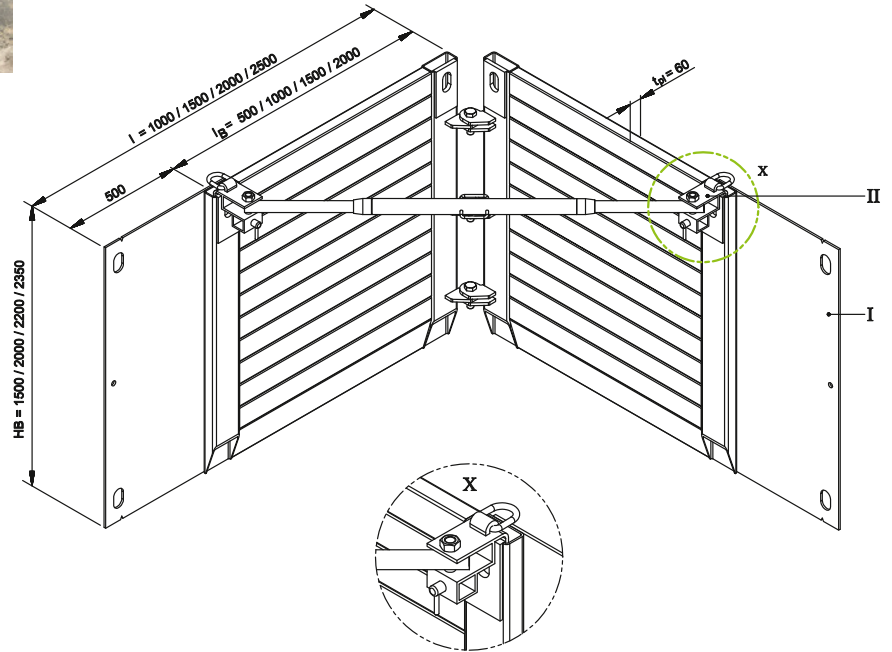


KRINGS corner shoring unit



General data

Suitable trench width	0.50–2.00 m
Element height	1.50 / 2.00 / 2.20 / 2.35 m
Box weight	400–1,310 kg
Rec.: mobile excavator	9–13 t



Units

Art. no.	Short description	l Base body [m]	h Base body [m]	l Compensation plate [m]	Suitable trench width [m]	G* / Box [kg]
805 599	Corner shoring unit 0.50 × 1.50 m	0.50	1.50	0.50	0.50–1.00	400
805 619	Corner shoring unit 0.50 × 2.00 m	0.50	2.00	0.50	0.50–1.00	530
805 632	Corner shoring unit 0.50 × 2.20 m	0.50	2.20	0.50	0.50–1.00	575
805 636	Corner shoring unit 0.50 × 2.35 m	0.50	2.35	0.50	0.50–1.00	610
805 600	Corner shoring unit 1.00 × 1.50 m	1.00	1.50	0.50	1.00–1.50	525
805 620	Corner shoring unit 1.00 × 2.00 m	1.00	2.00	0.50	1.00–1.50	730
805 633	Corner shoring unit 1.00 × 2.20 m	1.00	2.20	0.50	1.00–1.50	810
805 637	Corner shoring unit 1.00 × 2.35 m	1.00	2.35	0.50	1.00–1.50	850
805 610	Corner shoring unit 1.50 × 1.50 m	1.50	1.50	0.50	1.50–2.00	720
805 630	Corner shoring unit 1.50 × 2.00 m	1.50	2.00	0.50	1.50–2.00	950
805 634	Corner shoring unit 1.50 × 2.20 m	1.50	2.20	0.50	1.50–2.00	1,025
805 638	Corner shoring unit 1.50 × 2.35 m	1.50	2.35	0.50	1.50–2.00	1,110
805 611	Corner shoring unit 2.00 × 1.50 m	2.00	1.50	0.50	2.00–2.50	780
805 631	Corner shoring unit 2.00 × 2.00 m	2.00	2.00	0.50	2.00–2.50	1,110
805 635	Corner shoring unit 2.00 × 2.20 m	2.00	2.20	0.50	2.00–2.50	1,245
805 639	Corner shoring unit 2.00 × 2.35 m	2.00	2.35	0.50	2.00–2.50	1,310

* The weights refer to two panel halves (R/L) = one corner.

Installation aid

Art. no.	Short description	l [m]	G [kg]
805 640	Installation aid for corner shoring unit	0.50	17
805 645	Installation aid for corner shoring unit	1.00	23
805 650	Installation aid for corner shoring unit	2.00	28

- I Corner shoring unit
- II Installation aid
- l Length
- h Height
- G Weight
- G* / Box Weight / Box